

NATIONAL INSTITUTE OF DESIGN, ASSAM

An autonomous Institution under Department for Promotion of Industry and Internal Trade
(DPIIT), Ministry of Commerce and Industry, Govt. of India
Village- Tocklai, Post Office Rajabari,
Jorhat- Mariani Road, Jorhat Assam. Pin- 785 014
(on the bank Tocklai river; Landmark- near LIC Divisional Office- 200mtr)

(NIDJ/ESTATE/NIQ/22-23/0084)

Quotation

For

**“CONSTRUCTION OF PLATFORM WITH RAIN SHED ALONGWITH PLUMBING
CONNECTIONS FOR BIO -TOILET NEAR SEWAGE TREATMENT PLANT-I”**

NATIONAL INSTITUTE OF DESIGN, ASSAM
Village- Tocklai, Post Office Rajabari,
Jorhat- Mariani Road, Jorhat Assam. Pin- 785 014

(NIDJ/ESTATE/NIQ/22-23/0084)

NAME OF THE WORK : CONSTRUCTION OF PLATFORM WITH RAIN SHED ALONGWITH PLUMBING CONNECTIONS FOR BIO -TOILET NEAR SEWAGE TREATMENT PLANT-I

DATE OF PUBLISHING OF TENDER : 06.05.2022

LAST DATE & TIME FOR RECEIPT OF QUOTATION : 17.05.2022 up to 13:00 hrs

TIME & DATE OF OPENING OF QUOTATION : 17.05.2022 15:30 hrs

**PLACE OF OPENING OF QUOTATION : NATIONAL INSTITUTE OF DESIGN, Jorhat, ASSAM
O/o Chief Administrative officer
Village- Tocklai, Post Office Rajabari,
Jorhat- Mariani Road, Jorhat Assam.
Pin- 785014**

INSTRUCTIONS TO BIDDERS AND TERMS AND CONDITIONS

National Institute of Design Assam
Tocklai, Rajabari, Jorhat-785014
Assam

QUOTATION FOR “CONSTRUCTION OF PLATFORM WITH RAIN SHED ALONGWITH PLUMBING CONNECTIONS FOR BIO -TOILET NEAR SEWAGE TREATMENT PLANT-I”

(NIDJ/ESTATE/NIQ/22-23/0084)

1. Sealed quotations are invited from reputed Civil Contractors for “CONSTRUCTION OF PLATFORM WITH RAIN SHED ALONGWITH PLUMBING CONNECTIONS FOR BIO -TOILET NEAR SEWAGE TREATMENT PLANT-I” at NIDJ, Assam. The estimated cost put to quotation is **Rs.2.45 Lakhs**.
2. The interested parties may send their sealed quotations superscribed with “CONSTRUCTION OF PLATFORM WITH RAIN SHED ALONGWITH PLUMBING CONNECTIONS FOR BIO -TOILET NEAR SEWAGE TREATMENT PLANT-I” at NIDJ, Assam’ addressed to Chief Administrative officer, NID, Assam latest by **17.05.2022**. The quotations will be opened on the same day at 3.30 PM.
3. If the above date of opening tender happens to be on a holiday or due to any other valid reason, the tender opening process will be done on the next working day or the day fixed by the undersigned.
4. Late submission of quotations will not be accepted. Quotation by “Telex/Telegram/Fax/e-mail” will not be accepted. Quotations may be submitted by Registered Post, by Hand in Person or by Courier.
5. However, any delay on this account shall not be accepted as a reason for exception. The undersigned reserves the right to cancel, alter or modify while finalizing the quotation. Envelopes received without date, due date and brief description of item may be rejected.
6. The complete quotation document including drawing if any, is available in portal website: **www.nidj.ac.in**. The quotation document may be downloaded and submitted as offer on or before the due date and time of submission.
7. No quotation will be considered which is not made in the prescribed form and which is not accompanied by a EMD of **2% of the estimated value**.
8. Employer do not bind themselves to accept the lowest or any quotation and reserve the right to accept any quotation in part or to reject any quotation without assigning any reason thereof.

SECTION – 1

INSTRUCTION TO QUOTATIONERS

GENERAL

1. Scope of Bid

1.1 National Institute of Design Assam hereinafter termed “the Employer” invites quotation for the work of “CONSTRUCTION OF PLATFORM WITH RAIN SHED ALONGWITH PLUMBING CONNECTIONS FOR BIO -TOILET NEAR SEWAGE TREATMENT PLANT-I” at NID, Assam”.

1.2 The successful quotationer will be expected to complete the work within the stipulated contract period.

2. Site Visit

2.1 The Quotationer, at the quotationer’s own responsibility and risk is encouraged to visit and examine the Site of Works and its surroundings and obtain all information that may be necessary for preparing the quotation including socio economic scenario of the surroundings. The costs of visiting the site shall be at the contractors own expense.

3. Quotation Documents

Content of Quotation Documents

3.1 The set of quotation documents comprises the documents listed below, and addendum / corrigendum issued (if any).

SECTION	Notice inviting Quotation
1	Instructions to quotationers
2	General conditions
3	Special conditions
4	Bill of quantities

3.2 The quotationer is expected to examine carefully all instructions, terms and technical specifications, bill of quantities, drawings (if any), in the Quotation document.

4. Amendment of Quotation Documents

4.1 Before the deadline for submission of Quotation, the Employer may modify the quotation documents by using addenda/corrigendum.

4.2 Any addendum/corrigendum thus issued shall be part of the quotation documents and shall be published in the website.

5. Preparation of Quotation

5.1. Language of the Quotation

All documents relating to the Quotation shall be in the English language.

6. Documents comprising the Quotation

6.1 The Quotation submitted by the quotationer shall comprise the following:

- i) EMD
- ii) Schedule of Quantities (Bill of Quantities) filled with his rate for each item of work both in figures and in words and also fill up the amount column without any omission and duly sign each page of the quotation. The Bidder shall quote price in clear terms and the specifications. The rates must be quoted as per the price bid format.
- iii) The bid shall be typed and signed by the bidder.
- iv) The rates and prices quoted by the bidder shall be fixed for the duration of the Contract and shall not be subject to adjustment or escalation on any account.

7. Eligibility Criteria

- (a) The bidder should have prior experience of execution of similar nature of works

Similar nature of work means “Execution of Civil works”

- (b) The Bidder should submit document in the form of work order/Completion certificate in the last 5 years (upto 31.03.2022)

- (c) Bidder should submit the copy of GST and PAN.

8. Quotation Validity

8.1 Quotations shall remain valid for a period not less than 120 days after the deadline date for bid submission

9. Bid Security (Earnest Money Deposit – EMD)

A. Earnest Money Deposit (EMD) should be 2% of the Estimated Cost

B. The quotationer shall have to pay the **Earnest Money Deposit of 2% of the Estimated value** by demand draft/Pay Order/Banker’s cheque drawn in favour of “**National Institute of Design, Assam**” payable at Jorhat from any Nationalized/Schedule Bank (except Co-operative Banks).

C. Bidders with MSME or NSIC certificate are exempted from submission of EMD.

D. For unsuccessful tenderer, EMD shall be refunded within 30 days without interest after the decision to award the work is taken. EMD shall be forfeited if any tenderer

withdraws their offer before finalization of the tender.

The EMD of the successful tenderer will be refunded only after the remittance of (performance security) security deposit and 30 days from the date of award of work.

10. Deadline for Submission of Bids

10.1 Quotations must be received by the Employer at the address specified above not later than the 1:00 P.M on 17.05.2022.

10.2 In the event of the specified date to submission of bids declared a holiday for Employer, the Quotations will be received up to the appointed time on next working day.

11. Late Bids

21.1 Any Quotation received by the Employer after the prescribed deadline will be returned un-opened to the quotationer.

12. Modification and Withdrawal of Bids

12.1 Quotationer may modify or withdraw their bids by giving notice in writing before the deadline prescribed.

12.2 No bid shall be modified by the bidder after the deadline for submission of bids.

12.3 Where counter terms and conditions have been offered by the Tenderer, the same shall not be deemed to have been accepted by NID, Assam unless our specific written acceptance thereof is obtained.

13. Bid Opening and Evaluation

13.1 All the received quotations will be opened on the due and appointed time as specified.

14. Performance Security

Performance Security in the form of Bank Guarantee @ 3% of Contract value from any Nationalized / Scheduled Bank in demand draft/Pay Order/Banker's cheque drawn in favour of “**National Institute of Design, Assam**” payable at Jorhat to be deposited within 7 days from issue of Letter of Acceptance, failing which their order shall be cancelled. The Performance Bank Guarantee shall be kept up to end of defect liability period i.e. **01(one) year** from the date of handing over of the work as certified by Client and needs to be renewed from time to time till completion of DLP.

15. Liquidity Damages

In case of delay in completion of the contract, liquidity damages (L.D) may be levied at the rate of 0.5% of the contract value per week of delay or part thereof, subject to a maximum of 5 per cent of the contract value.

16. Contract Period

The work shall be completed within **45 days** from the 7th day of issuing the work order (or) the actual date of starting the work whichever is earlier

17. Defect Liability Period

The defect liability period shall mean a period of **12 months** from the date of completion of entire works as certified by NID, Assam in accordance with the contractual obligation.

SECTION – 2
GENERAL CONDITIONS

1. The quantities given in the schedule of quantities are those upon which the approximate estimated cost of the work is based but they are subject to alterations, omissions, deductions and additions and do not necessarily show the actual quantities of the work to be done.
2. The work shall be done to the satisfaction of the NID, Assam or its representative. The works shall be done in accordance with the specifications and the relevant standards set up by the Indian Standard. Any item of work carried out not in accordance with the specifications and other conditions will be rejected irrespective of the apparent quality of the work.
3. The work is to be carried out with due diligence and executed to a workman like manner. The material used when supplied by the contractor is to be of the best of its kind and in all cases to be subject to the approval of NID, Assam whose decision to the rate of progress the quality of the work or materials, sizes etc., is final.
4. NID, Assam may cancel the contract at its opinion at any time without notice for any reason including poor progress of work and may remove bad work or materials and have it replaced deducting the value of the work rejected or material removed of the cost of replacing it as may think proper from any amount due or that may become due to the contractor. The decision of the NID, Assam shall be final and will be binding on the contractor.
5. In case the contractor leaves the work incomplete NID, Assam shall have the right to have the work completed through any other agency and recover the extra expenditure incurred by the NID, Assam in so doing from any money due or to become due to the contractor.
6. The contractor shall conform to and comply with the regulations and by rules and laws of the NID, Assam and other local authorities such as the Jorhat Municipal Corporation. The contract shall be governed by the Laws of India for the time being in force. The Courts of Jorhat only shall have jurisdiction to deal with and decide any legal or dispute arising out of this Contract .The Contractor shall conform to rules, regulations etc., concerning injury to workmen compensation for injury to workmen, insurance for workmen etc., The contractor shall also conform to contract labour (Regulations and Abolition) Central Rule 1971 etc.,
7. The contractor shall be responsible for any accident, damage or injury caused to any of his employees or property or any person or property in course of the work and shall hold the NIDJ, Assam blameless in respect thereof and also in respect of any claim made by any person or any reasons whatsoever.
8. The contractor shall be solely responsible for reporting to the NID, Assam and Police Department immediately of any serious or fatal accident inside the NID, Assam to any of his employees / workmen engaged by him or any person involved in an accident as a whole of the work.

9. The work shall be carried out without causing any inconvenience to the NID, Assam and to other works in progress in the neighborhood and any losses of the NID, Assam.
10. Admission into NID, Assam is regulated by passes for contractor and his staff and workers. The contractor shall obtain necessary passes for his men and himself from time to time.
11. The quantities of work executed will be measured and payment will be made only on satisfactory completion of the work.
12. The quantities furnished in this schedules are only approximate and can be increased or decreased at the discretion of NID, Assam to record the measurements. However, the consequent variation in the total quoted price will be limited to (+/-) 10% and the quoted rates shall be firm for such variation.
13. The contractor should submit the bill based on the joint recorded Measurements for the works between NID, Assam and the contractor.
14. All payments made to the contractor for the work shall be rounded of the nearest rupee.
15. The materials used for the works shall be of good quality and approved make/manufacture and as per the specifications. The work must be carried out in workman like and expeditious manner. All the materials and works shall be complying to relevant Indian Standards/manufactures specifications and procedures.
16. The quotationer shall engage skilled workers. Necessary tools, accessories to complete the works within the prescribed time period.
17. The rates shall include all taxes, levis, duties, etc. and inclusive of all materials to be procured by the contractor including labour, tools, plants, etc. other taxes as applicable will be deducted from the contractor's bill.
18. The work should be guaranteed for a minimum period of twelve months, from that date of acceptance, against defective materials, design, workmanship, operation, or manufacture. For defects noticed and communicated during the Guarantee period, replacement/rectification should be arranged free of cost within a reasonable period of such notifications. In case where our specifications call for a guarantee period more than 12 months specifically, then such a period shall apply.
19. In case of dispute arises, the decision of NID, Assam authority shall be final and binding on bidders.

SECTION – 3

SPECIAL CONDITIONS

1. The work shall be completed within **45 days** from the 7th day of issuing the work order (or) the actual date of starting the work whichever is earlier.

2. Supply of Electrical Power for the Works.

The contractor shall make his own arrangements.

3. Supply of Drinking water at the site of work.

The contractor shall make his own arrangements.

4. Supply of water for the work.

The contractor shall make his own arrangements.



PRICE BID FORMAT

ESTIMATE FOR PROVIDING PLATFORM WITH RAIN SHED ALONGWITH PLUMBING CONNECTIONS FOR BIO -TOILET NEAR SEWAGE TREATMENT PLANT-I						
SL.No.	SOR REFERENCE (DSR 2021)	Item description	Unit	Quantity	Rate	Amount in Rs.
1	2.25 (a)	Excavating, supplying and filling of local earth (including royalty) by mechanical transport upto a lead of 5km also including ramming and watering of the earth in layers not exceeding 20 cm in trenches, plinth, sides of foundation etc. complete.				
			Cum	14.85		
2	6.1	Brick work with common burnt clay F.P.S. (non modular) bricks of class designation 7.5 in foundation and plinth in				
	6.1.2	Cement mortar 1:6 (1 cement : 6 coarse sand)	Cum	2.7		
3	11.45	Providing and laying 500x500x40 mm thick Turf paver (Turfpave XD) on 150 mm thick sub grade of compacted bed of 20 mm thick nominal size stone aggregate and base course and filling with 150 mm thick jamuna sand, including spreading, well ramming, consolidating and finishing smooth etc. all complete as per direction of Engineer-in-charge.	Sqm	44.10		
4	4.1	Providing and laying in position cement concrete of specified grade excluding the cost of centering and shuttering - All work up to plinth level :				
	4.1.5	1:3:6 (1 Cement : 3 coarse sand (zone-III) derived from natural sources : 6 graded stone aggregate 20 mm nominal size derived from natural sources)	Cum	0.75		
5	13.2	15 mm cement plaster on the rough side of single or half brick wall of mix :				
	13.2.1	1:4 (1 cement: 4 fine sand)	Sqm	12.87		

6	10.16	Steel work in built up tubular (round, square or rectangular hollow tubes etc.) trusses etc., including cutting, hoisting, fixing in position and applying a priming coat of approved steel primer, including welding and bolted with special shaped washers etc. complete.				
6(i)	10.16.1	Hot finished welded type tubes	Kg	586.58		
7	13.47	Finishing walls with Premium Acrylic Smooth exterior paint with Silicone additives of required shade:				
7(i)	13.47.1	New work (Two or more coats applied @ 1.43 ltr/10 sqm over and including priming coat of exterior primer applied @ 2.20 kg/10 sqm)	Sqm	12.87		
8	13.80	Providing and applying white cement based putty of average thickness 1 mm, of approved brand and manufacturer, over the plastered wall surface to prepare the surface even and smooth complete.	Sqm	12.87		
9	12.50	Providing and fixing precoated galvanised iron profile sheets (size, shape and pitch of corrugation as approved by Engineer-in-charge) 0.50 mm (+ 0.05 %) total coated thickness with zinc coating 120 grams per sqm as per IS: 277, in 240 mpa steel grade, 5-7 microns epoxy primer on both side of the sheet and polyester top coat 15-18 microns. Sheet should have protective guard film of 25 microns minimum to avoid scratches during transportation and should be supplied in single length upto 12 metre or as desired by Engineer in-charge. The sheet shall be fixed using self drilling /self tapping screws of size (5.5x 55 mm) with EPDM seal, complete upto any pitch in horizontal/ vertical or curved surfaces, excluding the cost of purlins, rafters and trusses and including cutting to size and shape wherever required.				
			Sqm	38.50		



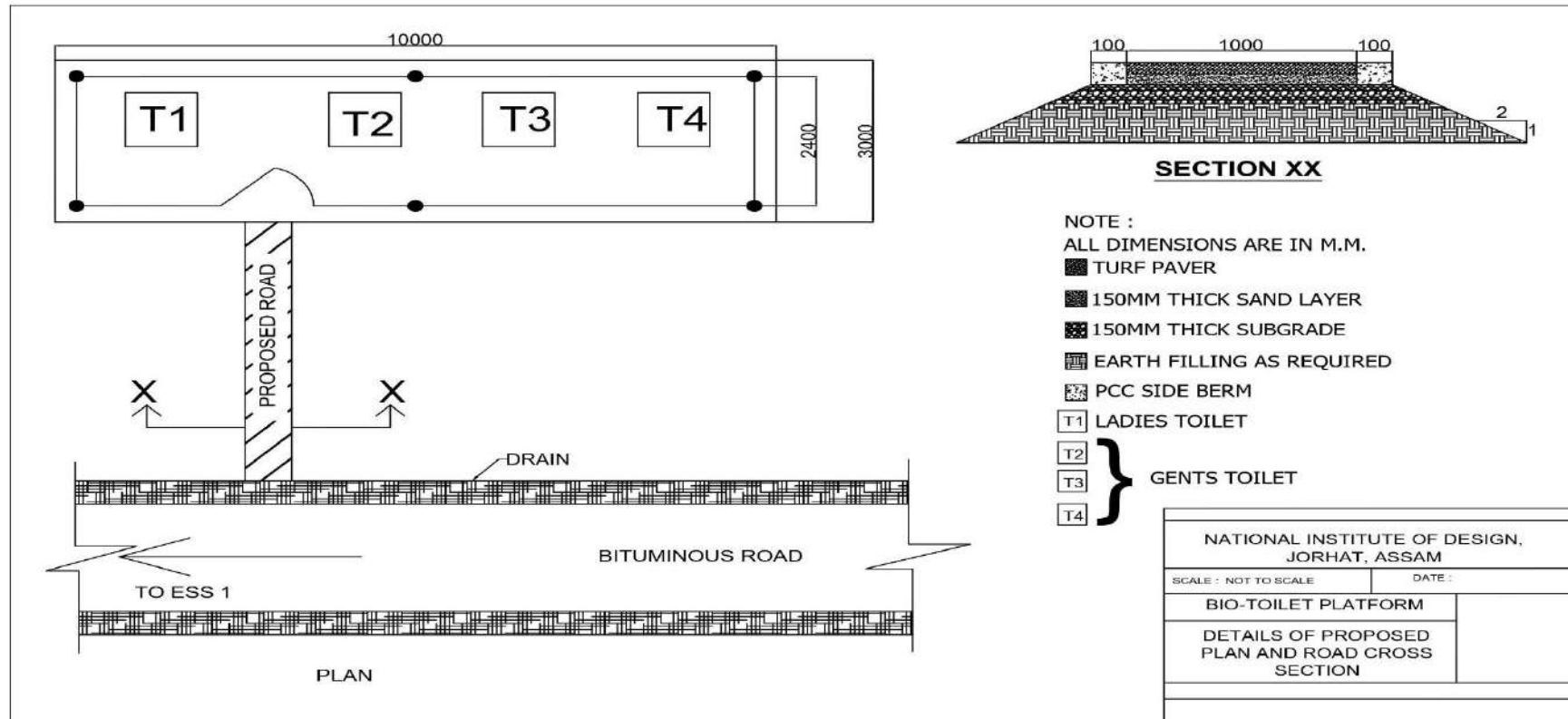
10	18.9	Providing and fixing Chlorinated Polyvinyl Chloride (CPVC) pipes, having thermal stability for hot & cold water supply including all CPVC plain & brass threaded fittings This includes jointing of pipes & fittings with one step CPVC solvent cement, trenching, refilling & testing of joints complete as per direction of Engineer in Charge.				
		External work				
10(i)	18.9.3	25 mm nominal dia. Pipes	metre	25.00		
11	NSR	Supply installation testing commissioning of Electric Motor pump, Surface mounted with Base plate (Specification - 100 LPM with Nominal head 4 m, with minimum pressure 2 kg/cm ² , and with minimum RPM 800)	Each	1.00		
Sub- Total (in Rs.)						
GST Rate (%)						
GST Amount (in Rs.)						
Total Amount (in Rs.)						

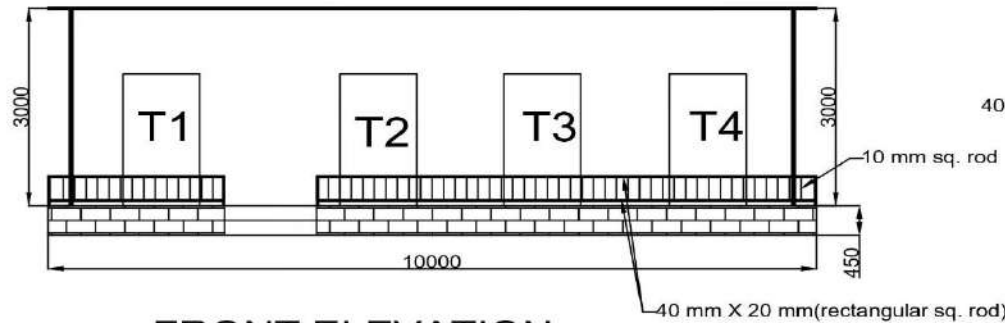
Amount in Words.....

Signature and Seal of the bidder

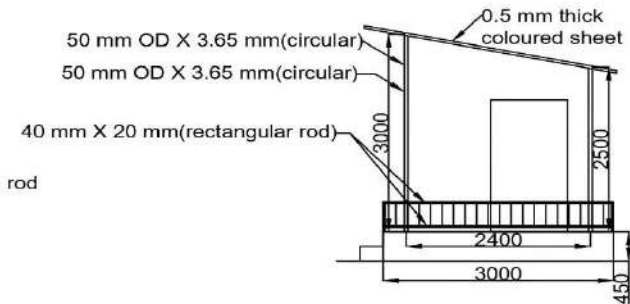
Date:

DRAWINGS

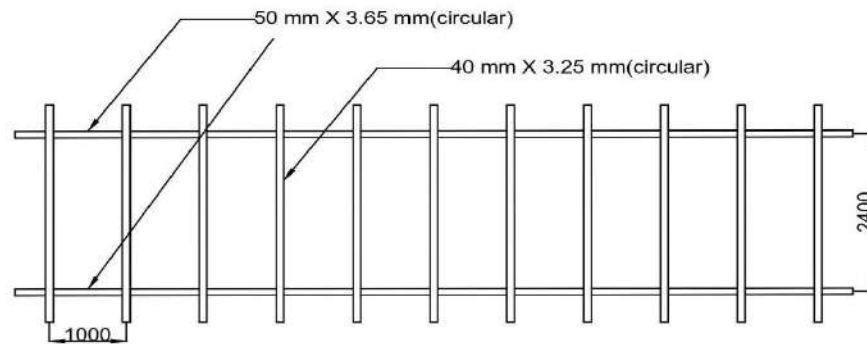




FRONT ELEVATION



RIGHT SIDE ELEVATION



TRUSS

NOTE :

1. ALL DIMENSIONS ARE IN MM
2. ALL MS MATERIAL SHOULD BEAR ISI MARK
3. COLOUR OF ROOF SHEET- GREEN
4. PAINT COLOUR: PREFERABLY IVORY WITH WHITE

NATIONAL INSTITUTE OF DESIGN, JORHAT, ASSAM	
SCALE : NOT TO SCALE	DATE :
BIO TOILET PLATFORM	
CROSS SECTION AND ELEVATION DETAILS OF TOILET PLATFORM	